










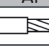


Technical data

Description:	Terminal block RKA 95
Construction:	Fingersafe IP 20
Item no. :	087510

Remarks:	The product is compliant with the EC ROHS directives	
Standards:	IEC 60947-7-1, IEC 61238-1	UL 1059, CSA-C22.2 No. 158

	  	  
Nominal Voltage:	1.000 V AC / 1.000 V DC	600 V AC
Nominal current:	Cu 232 A, Al 200 A	Cu 200 A, Al 155 A
Rated cross-section:	95 mm ²	AWG 3/0
Impulse withstand voltage:	8 kV	
Pollution degree:	3	
Surge voltage category:	III	
CTI value:	550	550

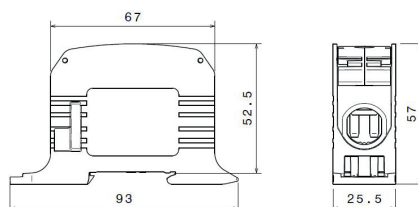
Terminal cross section:	no. of connections: 2 x 95 mm ² (all conductor types)			no. of connections: 2 x AWG 3/0 (all conductor types)		
	IEC 60947-7-1		IEC 61238-1	UL 1059, CSA-C22.2 No. 158		
	Cu		Al	Cu		Al
						
95 mm ²						
70 mm ²	19 Nm		19 Nm	22,6 Nm		22,6 Nm
50 mm ²						
35 mm ²	14 Nm		14 Nm			
25 mm ²						
16 mm ²						
10 mm ²						
stripping length	26 mm			26 mm		
allen screw	M14 (SW 6 mm)			M14 (SW 6 mm)		

Measurement connection:	no. of connections: 1 x 10 mm ² (all conductor types)			no. of connections: 1 x AWG 8 (all conductor types)		
10 mm ²						
6 mm ²	1,2 Nm		1,2 Nm	2,3 Nm	2,3 Nm	
4 mm ²						
2,5 mm ²						
1,5 mm ²						
stripping length	10 mm			10 mm		
screw	M4 (+/- PZ2)			M4 (+/- PZ2)		

Materials:	Terminal body: Aluminium	tin plated
	Housing: PA 6 (Halogen-free)	
	Screws: Steel	zinc plated

Flame resistance:	Self-extinguishing
-------------------	--------------------

Mechanical data:	Dimensions: width x height x depth (mm):	25,5 x 57 x 93
------------------	------------------------------------------	----------------



Design				
Basic housing colour – light grey RAL 7035				
Part no.	Design	Cover colour	PU	GTIN (EAN)
087510-0-3	L G	light grey RAL 7035	2 / 36	4051589875103
087510-1-3	N	light blue RAL 5012	2 / 36	4051589875110
087510-2-3	PE	yellow-green RAL 6018	2 / 36	4051589875127
087510-3-3	LB	clay brown RAL 8003	2 / 36	4051589875134
087510-4-3	LS	jet black RAL 9005	2 / 36	4051589875141