

Technical data

Description:	Main Line Branch Terminal 25 mm ² „double block“ – 1 pole (Al/Cu)
Construction:	Model C – all-side fingersafe, modular system
Item no. :	080120-x-3

Remarks: The product is compliant with the EC ROHS directives

Standards: IEC 60947-7-1



Nominal Voltage: 1.000 V AC / 1.000 V DC

Nominal current: Cu 152 A (2x16mm²); 101 A (1x25mm²) as per IEC 60947-7-1
Al 100 A (1x25mm²)* as per IEC 61238-1 (Class A)

* Approved with Reko SFS 4880 (manufactured by Reka Cables Ltd)

Power loss: Tested by SGS Fimko Ltd (FI) (see chart 1)

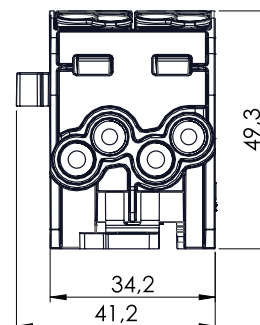
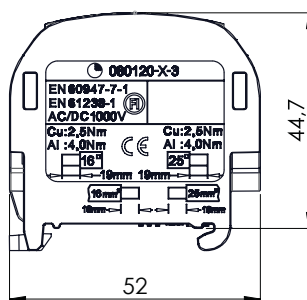
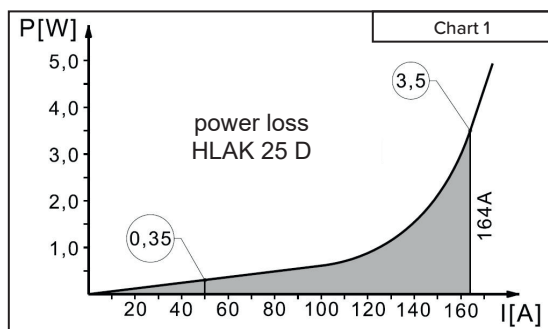
Terminal cross section:

	4 x 25 mm ² (round conductor)			4 x 16 mm ² (round conductor)		
	Cu		Al	Cu		Al
25 mm ²	2,5 Nm	-	4 Nm	-	-	-
16 mm ²	2,5 Nm	2,5 Nm	4 Nm	2,5 Nm	-	4 Nm
10 mm ²	2,5 Nm	2,5 Nm	-	2,5 Nm	2,5 Nm	-
6 mm ²	2,5 Nm	2,5 Nm	-	2,5 Nm	2,5 Nm	-
4 mm ²	2,5 Nm	2,5 Nm	-	2,5 Nm	2,5 Nm	-
2,5 mm ²	2,5 Nm	2,5 Nm	-	2,5 Nm	2,5 Nm	-
1,5 mm ²	-	2,5 Nm	-	-	2,5 Nm	-
stripping length	19 mm			19 mm		
screw	M6 (+/- PZ2)			M6 (+/- PZ2)		

Materials: Terminal body: brass (CuZn39Pb2) 3-4µm Ni / 7-10µm Sn
Housing: PA 6 (Halogen-free)
Screws: steel Zn thick-film passivated

Flame resistance: Self-extinguishing

Mechanical data: Dimensions: width x height x depth (mm): 49,9 x 49,3 x 55,4



Design

Basic housing colour – light grey RAL 7035

Part no.	Design	Cover colour	PU	GTIN (EAN)
080120-0-3	L "G"	light grey RAL 7035	2	4051589012034
080120-1-3	N	light blue RAL 5012	2	4051589012133
080120-2-3	PE	yellow-green RAL 6018	2	4051589012232
080120-3-3	L "B"	clay brown RAL 8003	2	4051589012331
080120-4-3	L "S"	jet black RAL 9005	2	4051589012430

HORA eTec GmbH

Lange Strasse 65, D - 32257 Bünde, Phone: +49 (0) 52 23 / 49 80 - 0

E-mail: info@hora-etec.com, Internet: www.hora-etec.com

Technical data

Description:	Main Line Branch Terminal 25 mm ² „double block“ – 1 pole (Cu)
Construction:	Model C – all-side fingersafe, modular system
Item no. :	080120-x-4

Remarks: The product is compliant with the EC ROHS directives

Standards: VDE Certification as per DIN VDE 0603-2, EN 60947-7-1



Nominal Voltage: 1.000 V AC / 1.000 V DC

Nominal current: Cu 152 A (2x16mm²); 101 A (1x25mm²) as per IEC 60947-7-1

Power loss: Tested by SGS Fimko Ltd (FI) (see chart 1)

Terminal cross section:

	4 x 25 mm ² (round conductor)		4 x 16 mm ² (round conductor)	
	Cu		Cu	
25 mm ²	2,5 Nm	-	-	-
16 mm ²	2,5 Nm	2,5 Nm	2,5 Nm	-
10 mm ²	2,5 Nm	2,5 Nm	2,5 Nm	2,5 Nm
6 mm ²	2,5 Nm	2,5 Nm	2,5 Nm	2,5 Nm
4 mm ²	2,5 Nm	2,5 Nm	2,5 Nm	2,5 Nm
2,5 mm ²	2,5 Nm	2,5 Nm	2,5 Nm	2,5 Nm
1,5 mm ²	-	2,5 Nm	-	2,5 Nm
stripping length	19 mm		19 mm	
screw	M6 (+/- PZ2)		M6 (+/- PZ2)	

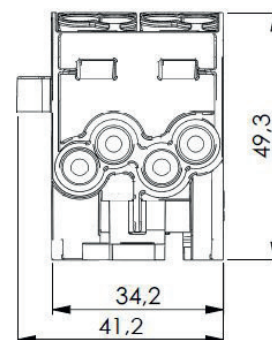
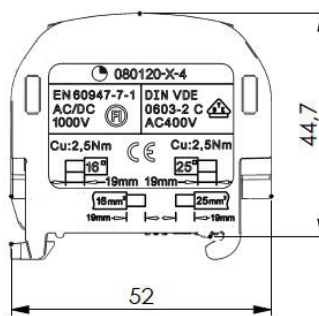
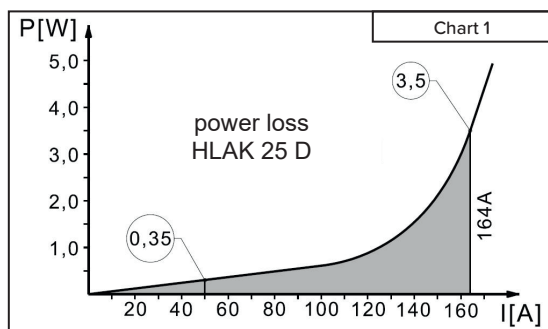
Materials: Terminal body: brass (CuZn39Pb2) bright

Housing: PA 6 (Halogen-free)

Screws: steel Zn thick-film passivated

Flame resistance: Self-extinguishing

Mechanical data: Dimensions: width x height x depth (mm): 41,2 x 49,3 x 52



Design

Basic housing colour – light grey RAL 7035

Part no.	Design	Cover colour	PU	GTIN (EAN)
080120-0-4	L "G"	light grey RAL 7035	2	4051589801201
080120-1-4	N	light blue RAL 5012	2	4051589801218
080120-2-4	PE	yellow-green RAL 6018	2	4051589801225
080120-3-4	L "B"	clay brown RAL 8003	2	4051589801232
080120-4-4	L "S"	jet black RAL 9005	2	4051589801249

HORA eTec GmbH

Lange Strasse 65, D - 32257 Bünde, Phone: +49 (0) 52 23 / 49 80 - 0

E-mail: info@hora-etec.com, Internet: www.hora-etec.com