

Technical data

Description:	Main Line Branch Terminal 70 mm ² – 1 pole (Al/Cu)
Construction:	Model C – all-side fingersafe, modular system
Item no. :	080310-x-3

Remarks: The product is compliant with the EC ROHS directives

Standards: IEC 60947-7-1



Nominal Voltage: 1.000 V AC / 1.000 V DC

Nominal current: Cu 300 A (2x50mm²); 192 A (1x70mm²) as per IEC 60947-7-1
Al 300 A (2x50mm²)* as per IEC 61238-1 (Class A)

* Approved with Reko SFS 4880 (manufactured by Reka Cables Ltd)

Power loss: Tested by SGS Fimko Ltd (FI) (see chart 1)

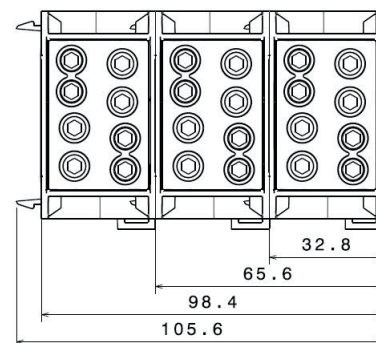
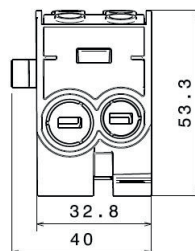
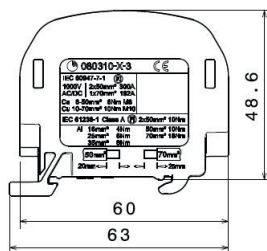
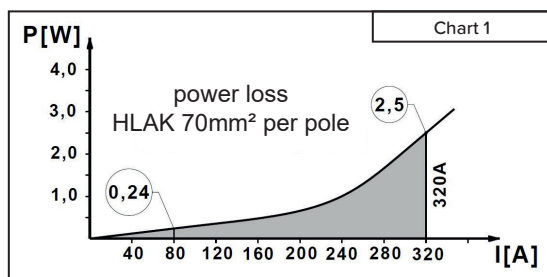
Terminal cross section:

	2 x 70 mm ² (round conductor)			2 x 50 mm ² (round conductor)		
	Cu		Al	Cu		Al
70 mm ²	10 Nm	-	18 Nm	-	-	-
50 mm ²	10 Nm	10 Nm	10 Nm	6 Nm	-	10 Nm
35 mm ²	10 Nm	10 Nm	8 Nm	6 Nm	6 Nm	8 Nm
25 mm ²	10 Nm	10 Nm	6 Nm	6 Nm	6 Nm	6 Nm
16 mm ²	10 Nm	10 Nm	4 Nm	6 Nm	6 Nm	4 Nm
10 mm ²	10 Nm	10 Nm	-	6 Nm	6 Nm	-
6 mm ²	-	10 Nm	-	6 Nm	6 Nm	-
4 mm ²	-	-	-	-	6 Nm	-
stripping length	25 mm			20 mm		
screw	M10 (SW 4 mm)			M8 (SW 4 mm)		

Materials: Terminal body: brass (CuZn39Pb2) 3-4µm Ni / 7-10µm Sn
Housing: PA 6 (Halogen-free)
Screws: steel Zn thick-film passivated

Flame resistance: Self-extinguishing

Mechanical data: Dimensions: width x height x depth (mm): 40 x 53,3 x 63



Design

Basic housing colour – light grey RAL 7035

Part no.	Design	Cover colour	PU	GTIN (EAN)
080310-0-3	L "G"	light grey RAL 7035	3	4051589031035
080310-1-3	N	light blue RAL 5012	3	4051589031134
080310-2-3	PE	yellow-green RAL 6018	3	4051589031233
080310-3-3	L "B"	clay brown RAL 8003	3	4051589031332
080310-4-3	L "S"	jet black RAL 9005	3	4051589031431
080310-5-3	R	beige red RAL 3012	3	4051589031530

Technical data

Description:	Main Line Branch Terminal 70 mm ² – 1 pole (Cu)
Construction:	Model C – all-side fingersafe, modular system
Item no. :	080310-x-4

Remarks: The product is compliant with the EC ROHS directives

Standards: VDE Certification as per DIN VDE 0603-2, EN 60947-7-1



Nominal Voltage: 1.000 V AC / 1.000 V DC

Nominal current: Cu 300 A (2x50mm²); 192 A (1x70mm²) as per IEC 60947-7-1

Power loss: Tested by SGS Fimko Ltd (FI) (see chart 1)

Terminal cross section:

	2 x 70 mm ² (round conductor)		2 x 50 mm ² (round conductor)	
	Cu		Cu	
70 mm ²	10 Nm	-	-	-
50 mm ²	10 Nm	10 Nm	6 Nm	-
35 mm ²	10 Nm	10 Nm	6 Nm	6 Nm
25 mm ²	10 Nm	10 Nm	6 Nm	6 Nm
16 mm ²	10 Nm	10 Nm	6 Nm	6 Nm
10 mm ²	10 Nm	10 Nm	6 Nm	6 Nm
6 mm ²	-	10 Nm	6 Nm	6 Nm
4 mm ²	-	-	-	6 Nm
stripping length	25 mm		20 mm	
screw	M10 (SW 4 mm)		M8 (SW 4 mm)	

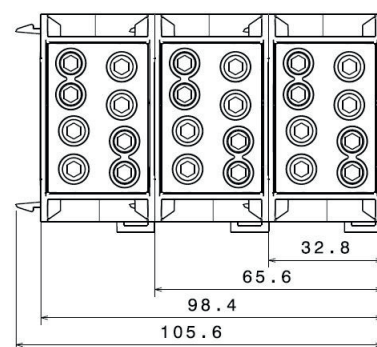
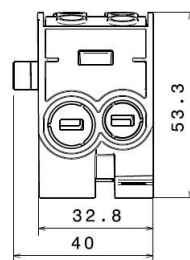
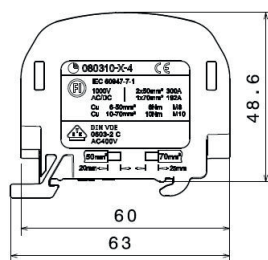
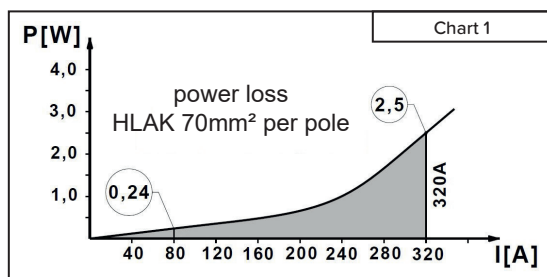
Materials: Terminal body: brass (CuZn39Pb2) bright

Housing: PA 6 (Halogen-free)

Screws: steel Zn thick-film passivated

Flame resistance: Self-extinguishing

Mechanical data: Dimensions: width x height x depth (mm): 40 x 53,3 x 63



Design

Basic housing colour – light grey RAL 7035

Part no.	Design	Cover colour	PU	GTIN (EAN)
080310-0-4	L "G"	light grey RAL 7035	3	4051589803106
080310-1-4	N	light blue RAL 5012	3	4051589803113
080310-2-4	PE	yellow-green RAL 6018	3	4051589803120
080310-3-4	L "B"	clay brown RAL 8003	3	4051589803137
080310-4-4	L "S"	jet black RAL 9005	3	4051589803144
080310-5-4	R	beige red RAL 3012	3	4051589803151