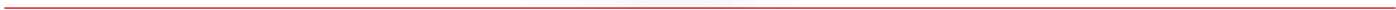




Technical data sheet SSAK-series



Technical data

Description:	Busbar Tapping 10mm ²
Construction:	uninsulated
Item no. :	086005-9-2

Remarks: The product is compliant with the EC ROHS directives

Standards: -

Nominal Voltage: 690 V

Nominal current: 82 A

Busbar cross section / Incoming

1 x Busbar	Cu Stärke (Höhe) 3 – 10 mm / Tiefe (Breite) mindestens 10 mm
	Clamping screw for busbar connection:
	cross-head screw M5 x 12 +/- PZ2
	tightening torque 2 Nm

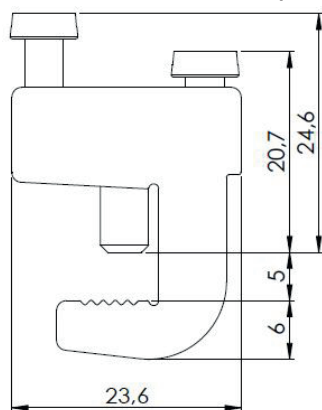
Terminal cross section / Outgoing

2 x 10 mm ²	1,5 – 10 mm ² , round conductor Cu (solid wire and multi wire)
	1,5 – 6 mm ² , stranded wire with ferrule
	cross-head screw M4 x 8 +/- PZ2
	tightening torque 1,2 Nm
	stripping length -

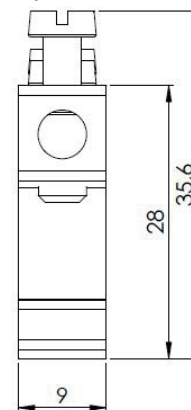
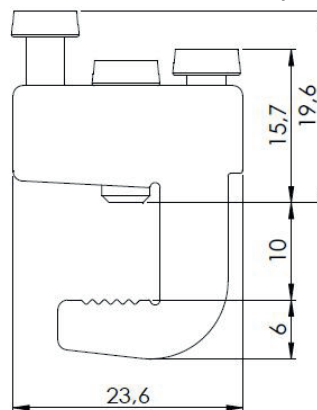
Materials:	Terminal body:	brass (CuZn39Pb2)	bright
	Screws:	steel	Zn thick-film passivated

Mechanical data:	Dimensions:	width x height x depth (mm):	9 x 35,6 x 23,6
------------------	-------------	------------------------------	-----------------

mounted dimensions (5 mm bar)



mounted dimensions (10 mm bar)



Design

Basic housing colour – light grey RAL 7035

Part no.	Design	Cover colour	PU	GTIN (EAN)
086005-9-2	Universal	-	12	4051589600590

Technical data

Description:	Busbar Tapping 16mm ²
Construction:	fingersafe
Item no. :	086105...

Remarks: The product is compliant with the EC ROHS directives

Standards: DIN EN 60947-7-1

Nominal Voltage: 690 V

Nominal current: 114 A - (Details see below)

Busbar cross section / Incoming

1 x Busbar	Cu busbar strength (height) 3 – 10 mm / depth (width) minimum 10 mm
	Clamping screw for busbar connection:
	cross-head screw M8 x 20 +/- PZ3
	tightening torque 3 Nm

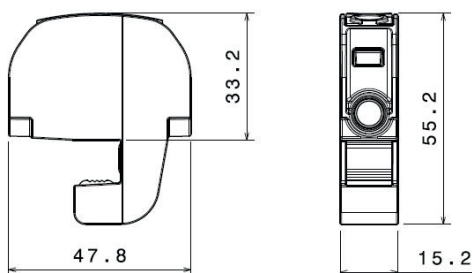
Terminal cross section / Outgoing

2 x 16 mm ²	1,5 – 16 mm ² , round conductor Cu (solid wire and multi wire)
	1 – 10 mm ² , stranded wire with ferrule
	cross-head screw M6 x 10 +/- PZ2
	tightening torque 2,5 Nm
	stripping length 12 mm

Materials:	Terminal body:	brass (CuZn39Pb2)	bright
	Housing:	PA 6 (Halogen-free)	
	Screws:	steel	Zn thick-film passivated

Flame resistance: Self-extinguishing

Mechanical data: Dimensions: width x height x depth (mm): 15,2 x 55,2 x 47,8



Approved phase rails dimensions / Outgoing

	busbar strength						
	3 mm	4 mm		5 mm		10 mm	
E-Cu, blank (width in mm)	-	12		12, 15, 20, 25, 30, 40, 50, 60, 63, 80, 100, 125		12, 15, 20, 30, 40, 50, 60, 80, 100, 120, 160, 200	
E-Cu, tin-plated (width in mm)	10	-		12, 15, 20, 25, 30		12, 20, 30, 40, 50, 60, 80, 100, 120	
Nominal current	76 A	76 A	114 A	76 A	114 A	76 A	114 A
Outgoings (maximum cross section)	1 x 16 mm ²	1 x 16 mm ²	2 x 10 mm ²	1 x 16 mm ²	2 x 10 mm ²	1 x 16 mm	2 x 10 mm ²

Design

Basic housing colour – light grey RAL 7035

Part no.	Design	Cover colour	PU	GTIN (EAN)
086105-0-4	Universal	light grey RAL 7035	12	4051589610506

Technical data

Description:	Busbar Tapping 16mm ²
Construction:	uninsulated
Item no. :	086105-9-2

Remarks: The product is compliant with the EC ROHS directives

Standards: -

Nominal Voltage: 690 V

Nominal current: 114 A - (Details see below)

Busbar cross section / Incoming

1 x Busbar	Cu Stärke (Höhe) 3 – 10 mm / Tiefe (Breite) mindestens 10 mm
	Clamping screw for busbar connection:
	cross-head screw M8 x 20 +/- PZ3
	tightening torque 3 Nm

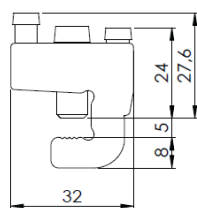
Terminal cross section / Outgoing

2 x 16 mm ²	1,5 – 16 mm ² , round conductor Cu (solid wire and multi wire)
	1 – 10 mm ² , stranded wire with ferrule
	cross-head screw M6 x 10 +/- PZ2
	tightening torque 2,5 Nm
	stripping length 9 mm

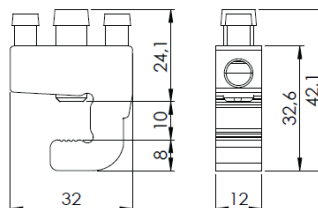
Materials:	Terminal body:	brass (CuZn39Pb2)	bright
	Screws:	steel	Zn thick-film passivated

Mechanical data:	Dimensions:	width x height x depth (mm):	12 x 37 - 42,1 x 32
------------------	-------------	------------------------------	---------------------

mounted dimensions (5 mm bar)



mounted dimensions (10 mm bar)



Zugelassene Sammelschienenabmessungen / Abgänge

	busbar strength						
	3 mm	4 mm	5 mm		10 mm		
E-Cu, blank (width in mm)	-	12	12, 15, 20, 25, 30, 40, 50, 60, 63, 80, 100, 125		12, 15, 20, 30, 40, 50, 60, 80, 100, 120, 160, 200		
E-Cu, tin-plated (width in mm)	10	-	12, 15, 20, 25, 30		12, 20, 30, 40, 50, 60, 80, 100, 120		
Nominal current	76 A	76 A	114 A	76 A	114 A	76 A	114 A
Outgoings (maximum cross section)	1 x 16 mm ²	1 x 16 mm ²	2 x 10 mm ²	1 x 16 mm ²	2 x 10 mm ²	1 x 16 mm	2 x 10 mm ²

Design

Basic housing colour – light grey RAL 7035

Part no.	Design	Cover colour	PU	GTIN (EAN)
086105-9-2	Universal	-	12	4051589610599