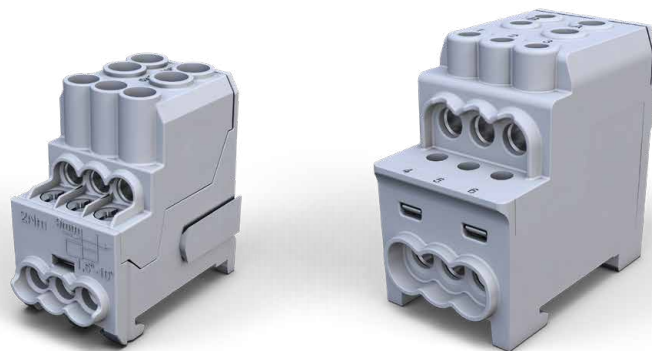




Technical data sheets

UVB-series



Technical data

Description:	Power distribution block UVB 100 (Al/Cu)
Construction:	all-side fingersafe IP 20, modular system, bridgeable
Item no. :	080010-x-3

Remarks: The product is compliant with the EC ROHS directives

Standards: VDE Certification as per DIN EN 60998-2-1



Nominal Voltage: 1.000 V AC

Nominal current: Cu 101 A, Al 100 A

Rated cross-section: 25 mm²

Terminal cross section:

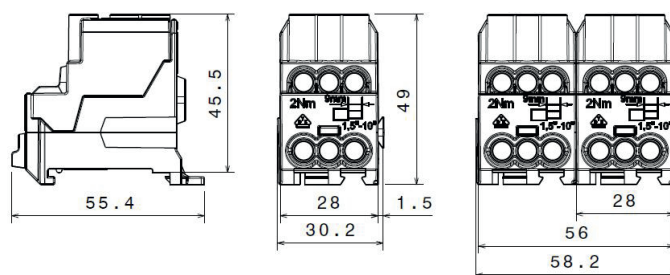
	IEC 60998-2-1		IEC 61238-1
	Cu		Al
2 x 25 mm²	(all conductor types)		
25 mm ²	3 Nm	-	4 Nm
16 mm ²		3 Nm	
10 mm ²			
6 mm ²			
4 mm ²			
2,5 mm ²	-	-	
1,5 mm ²	-	-	
stripping length	17 mm		
screw	2 x M6 +/- PZ2		
6 x 10 mm²	(all conductor types)		
10 mm ²	2 Nm	-	-
6 mm ²			
4 mm ²			
2,5 mm ²			
1,5 mm ²			
stripping length	9 mm		
screw	M5 +/- PZ2		

compact stranded fine stranded with ferrule

Materials: Terminal body: brass (CuZn39Pb2) 3-4µm Ni / 7-10µm Sn
Housing: PA 6 (Halogen-free)
Screws: Steel Zn thick-film passivated

Flame resistance: Self-extinguishing

Mechanical data: Dimensions: width x height x depth (mm): 30,2 x 49 x 55,4



Design

Basic housing colour – light grey RAL 7035

Part no.	Design	Cover colour	PU	GTIN (EAN)
080010-0-3	L "G"	light grey RAL 7035	3/54	4051589001038
080010-1-3	N	light blue RAL 5012	3/54	4051589001137
080010-2-3	PE	yellow-green RAL 6018	3/54	4051589001236
080010-3-3	L "B"	clay brown RAL 8003	3/54	4051589001335
080010-4-3	L "S"	jet black RAL 9005	3/54	4051589001434

Technical data

Description:	Power distribution block UVB 100 (Cu)
Construction:	all-side fingersafe IP 20, modular system, bridgeable
Item no. :	080010-x-4

01.02.2018

Remarks: The product is compliant with the EC ROHS directives

Standards: IEC 60998-2-1





Nominal Voltage: 1.000 V AC

Nominal current: Cu 101 A

Rated cross-section: 25 mm²

Terminal cross section:

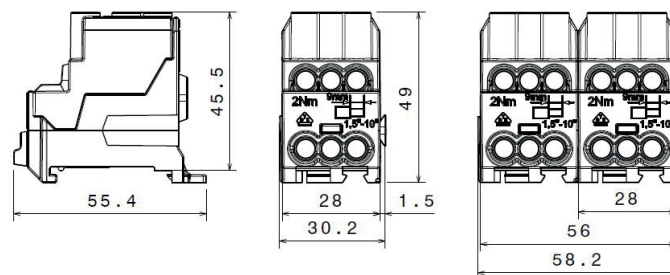
IEC 60998-2-1	
Cu	
	 
2 x 25 mm²	(all conductor types)
25 mm ²	-
16 mm ²	-
10 mm ²	3 Nm
6 mm ²	3 Nm
4 mm ²	3 Nm
2,5 mm ²	-
1,5 mm ²	-
stripping length	17 mm
screw	2 x M6 +/- PZ2
6 x 10 mm²	(all conductor types)
10 mm ²	-
6 mm ²	-
4 mm ²	2 Nm
2,5 mm ²	2 Nm
1,5 mm ²	2 Nm
stripping length	9 mm
screw	M5 +/- PZ2

 compact stranded  fine stranded with ferrule

Materials: Terminal body: brass (CuZn39Pb2) bright
 Housing: PA 6 (Halogen-free)
 Screws: Steel Zn thick-film passivated

Flame resistance: Self-extinguishing

Mechanical data: Dimensions: width x height x depth (mm): 30,2 x 49 x 55,4



Design

Basic housing colour – light grey RAL 7035

Part no.	Design	Cover colour	PU	GTIN (EAN)
080010-0-4	L "G"	light grey RAL 7035	3/54	4051589800105
080010-1-4	N	light blue RAL 5012	3/54	4051589800112
080010-2-4	PE	yellow-green RAL 6018	3/54	4051589800129
080010-3-4	L "B"	clay brown RAL 8003	3/54	4051589800136
080010-4-4	L "S"	jet black RAL 9005	3/54	4051589800143

HORA eTec GmbH

Lange Strasse 65, D - 32257 Bünde, Phone: +49 (0) 52 23 / 49 80 - 0

E-mail: info@hora-etec.com, Internet: www.hora-etec.com